

IT-DUMPS Q&A

Accurate study guides, High passing rate!
IT-dumps provides update free of charge in one year!

Exam : **TB0-116**

Title : TIBCO Enterprise Message
Service 6 Exam

Version : Demo

1.Which two statements are true about JMS local transactions? (Choose two.)

- A. Closing a transacted session commits its transaction.
- B. Session interface provides commit and rollback methods.
- C. Consumed messages are acknowledged uponsession.commit.
- D. Consumed messages are recovered and redelivered uponsession.commit.

Answer: B,C

2.What action is taken when the command purge all queues foo.* is sent on the TIBCO EMS Administrator Tool?

- A. All messages in all queues are deleted.
- B. All messages present in the queue called foo.* are deleted.
- C. All user-created queues whose names match the pattern foo.* are deleted.
- D. All messages present in all the queues whose names matched the pattern foo.* are deleted.

Answer: D

3.A TIBCO EMS Server has the following configuration in the stores.conf and queues.conf

files:stores.conf

```
[filestore-1] type=file file=filestore1.db mode=async
```

```
[filestore-2] type=file file=filestore2.db mode=sync queues.conf > store=filestore-1 queue1
```

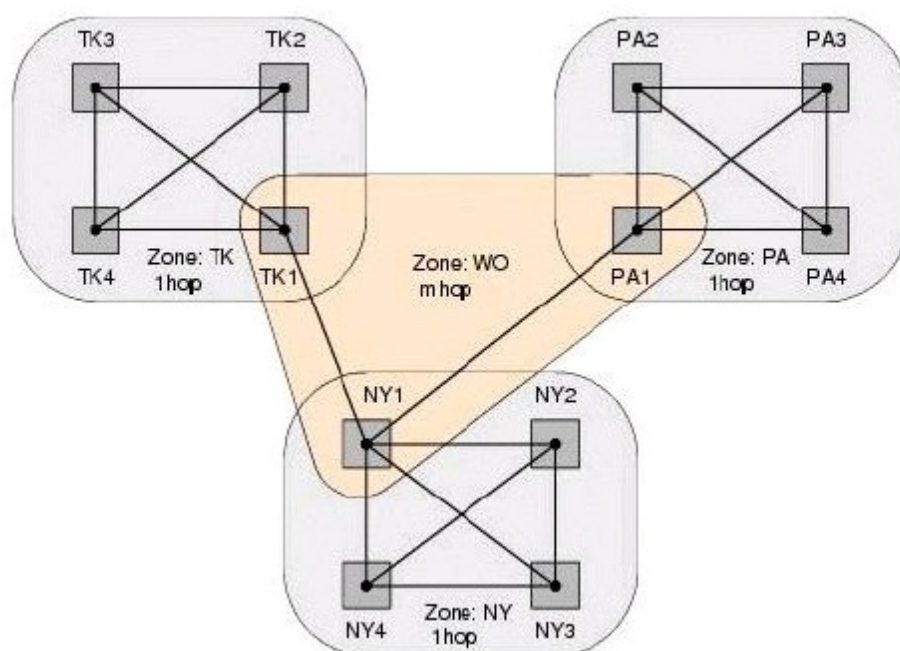
```
store=filestore-2 Message swapping is enabled.
```

What happens when NON_PERSISTENT messages are published on queue1?

- A. All the published messages are stored in filestore-2.
- B. All the published messages are stored in filestore-1.
- C. Messages are moved to filestore-1 when the server reaches certain memory limits.
- D. Messages are moved to filestore-2 when the server reaches certain memory limits.

Answer: D

4.The following diagram illustrates an enterprise with one-hop zones connecting all the servers in each of several cities in a fully-connected graph. Zone TK connects all the servers in Tokyo; zone NY connects all the servers in New York; zone PA connects all the servers in Paris. In addition, the multi-hop zone WO connects one server in each city. Which three statements are true when a client of server TK3 produces a message? (Choose three.)



- A. When the message reaches PA1, it crosses into zone PA.
- B. When the message reaches TK1, it will cross into zone PA.
- C. TK1 forwards the message to NY1, which in turn forwards it to PA1.
- D. The message will travel one hop to each of the other Tokyo servers.

Answer: A,C,D

5.What are two allowed connection factory types with TIBCO EMS?

- A. both
- B. xaboth
- C. generic
- D. xageneric

Answer: C,D

6.Which two sets of commands successfully create a queue connection factory called fact with the URL pointing to localhost:7222 on the TIBCO EMS Server? (Choose two.)

- A. create factory fact queue
addprop factory fact url=tcp://7222
setprop factory fact url
- B. create factory fact queueurl=tcp://7222
- C. create factory queue fact
setprop factory fact url=tcp://localhost7222
- D. create factory fact queue
addprop factory fact url=tcp://localhost:7222
- E. create factory fact queue
addprop factory fact url=tcp://localhost:7222
setprop factory fact url

Answer: B,D

7.Which two statements are true about access control and bridges? (Choose two.)

- A. A bridge automatically has permission to send to its target destination(s).
- B. Message producers must have access to a destination to send messages to that destination.
- C. ACLs must be added to thebridges.conf file if the access control is enabled for any bridged destination.
- D. A message producer sending messages to a bridged destination must also have access to the target destination(s) defined on the bridge.

Answer: A,B

8.Given the configuration in the acl.conf file: TOPIC=topic.sample1 USER=Bob PERM=subscribe TOPIC=topic.* Group=engineering PERM=publish,subscribe Which statement is true if Bob is a member of the engineering group?

- A. Bob can only subscribe to topic.sample1.
- B. Bob can publish and subscribe to only topic.sample1.
- C. Bob can publish and subscribe to both topic.sample1 and topic.sample2.
- D. Bob can publish to only topic.sample2 but can subscribe to both topic.sample1 and topic.sample2.
- E. Bob can publish to only topic.sample1 but can subscribe to both topic.sample1 and topic.sample2.

Answer: C

9.Server R defines a global queue named Q1. R is also the owner of Q1. Servers P and S define routed queues Q1@R. The servers P, R, and S are connected by routes. Which two statements are true? (Choose two.)

- A. When a message is sent from server P to queue Q1, P forwards the message to the home queue on server R.
- B. Messages are available to local and remote consumers even before the message reaches the home queue.
- C. If Server P or the route connection from P to R fails, a consumer application of server P will not be able to receive messages from Q1 until the servers resume communication.
- D. When a message is sent from server S to Q1 and the route is not connected, the message is not delivered, and the client application receives the exception DESTINATION_NOT_AVAILABLE.

Answer: A,C

10.Given the following set of values: ?sess is a Session object ?dest is a Destination object ?nolocal is a boolean variable What is the correct way to create a message consumer with a selector?

- A. String selector = "JMSCorrelationID=3";
MessageConsumer consumer = sess.createConsumer(dest,selector,nolocal);
- B. String selector = "JMSCorrelationID='3'";
MessageConsumer consumer = sess.createConsumer(dest,selector,nolocal);
- C. String selector = "JMSCorrelationID='3'";
MessageConsumer consumer = sess.createConsumer(dest, nolocal, selector);
- D. String selector = " 'JMSCorrelationID'='3'";

MessageConsumer consumer = sess.createConsumer(dest, selector, nlocal);

Answer: B

11. What are two valid TIBCO EMS Administrator Tool commands? (Choose two.)

- A. set server ft=enabled
- B. set server routing=enabled
- C. set server authorization=enabled
- D. set serverdetailed_statistics=NONE

Answer: C,D

12. The mismatched bandwidth between a message producer and consumer can be solved by setting which property in the TIBCO EMS configuration?

- A. multicast
- B. flow_control
- C. msg_swapping
- D. max_msg_memory

Answer: A

13. Which two statements are true about a fault-tolerant configuration of TIBCO EMS where the primary server heartbeat has stopped? (Choose two.)

- A. The backup server waits for its activation interval.
- B. The backup server tries to retrieve the information from shared storage.
- C. The backup server assumes control if theft_weight parameter is equal to 1.
- D. $lfft_activation = ft_heartbeat \times 5$, the backup server becomes the primary server.
- E. The server_timeout_server_connection parameter is used by the backup server before attempting a switchover.

Answer: A,B

14. A TIBCO EMS Server (mystore) has the following configuration in the stores.conf and queues.conf files: stores.conf [mystore] type=file file=mystore.db mode=sync [mystore] type=dbstore dbstore_driver_url=jdbc:sqlserver://sqlsrv_1:3415;databaseName=sysmeta dbstore_driver_username=admin dbstore_driver_password=admin123 queues.conf queue1 store=mystore Which statement is true when PERSISTENT messages are published to queue1?

- A. The server decides at runtime which store to use.
- B. The server picks the mystore of file type because it was configured first.
- C. The server fails to start because there are two stores configured with the same name.
- D. The server picks the mystore of database type because that overrides the previously configured filestore.

Answer: C

15. Which two mappings of JMS header fields to TIBCO Rendezvous data types are correct? (Choose two.)

- A. JMSType to TIBRVMSG_U8
- B. JMSTimestamp to TIBRVMSG_U64

- C. JMSDeliveryMode to TIBRVMSG_U8
- D. JMSRedelivered to TIBRVMSG_STRING

Answer: A,D

16.Which three statements are true about using Third-Party JNDI Naming/Directory Services with TIBCO EMS? (Choose three.)

- A. Destinations cannot be retrieved from third-party naming or directory services.
- B. To use a third-party directory service, you must have a JNDI provider for that specific type of service.
- C. For third-party services, the only prerequisite is that the objects must have previously been stored there.
- D. EMS supports the storage and retrieval ofConnectionFactories in third-party naming or directory services.
- E. The objects physically stored by EMS coming from a third-party naming/directory service are serialized objects.
- F. The synchronization of administered objects between the EMS Server and the foreign naming/directory services is automatic.

Answer: B,C,D

17.What are two valid queue properties? (Choose two.)

- A. export
- B. channel
- C. exclusive
- D. maxRedelivery

Answer: A,B

18.Which three message delivery modes are valid for TIBCO EMS? (Choose three.)

- A. PERSISTANT
- B. NON_PERSISTENT
- C. RELIABLE_DELIVERY
- D. CERTIFIED_DELIVERY

Answer: A,B,D

19.Which operations ensure that the user usr gets permission to only subscribe to a topic tpc and browse the queue que?

- A. add memberusr grp
grant queue que grp browse
grant topic tpc usr subscribe
- B. add membergrp usr
grant queue que usr browse
grant topic tpc grp subscribe
- C. add memberusr grp
grant queue que usr browse
grant topic tpc usr subscribe
- D. add membergrp usr

grant queue que usr browse
grant topic tpc grp subscribe,publish
Answer: B

20.A connection factory is configured as follows: url=tcp://A:7222,tcp://B:7222
connect_attempt_count=2 reconnect_attempt_count=4 Host A is not available. After the client connects to
host B, host B crashes and remains down. How many more times will the client try to connect with host A?

- A. 0
- B. 1
- C. 2
- D. 4
- E. 6
- F. 8

Answer: D