

IT-DUMPS Q&A

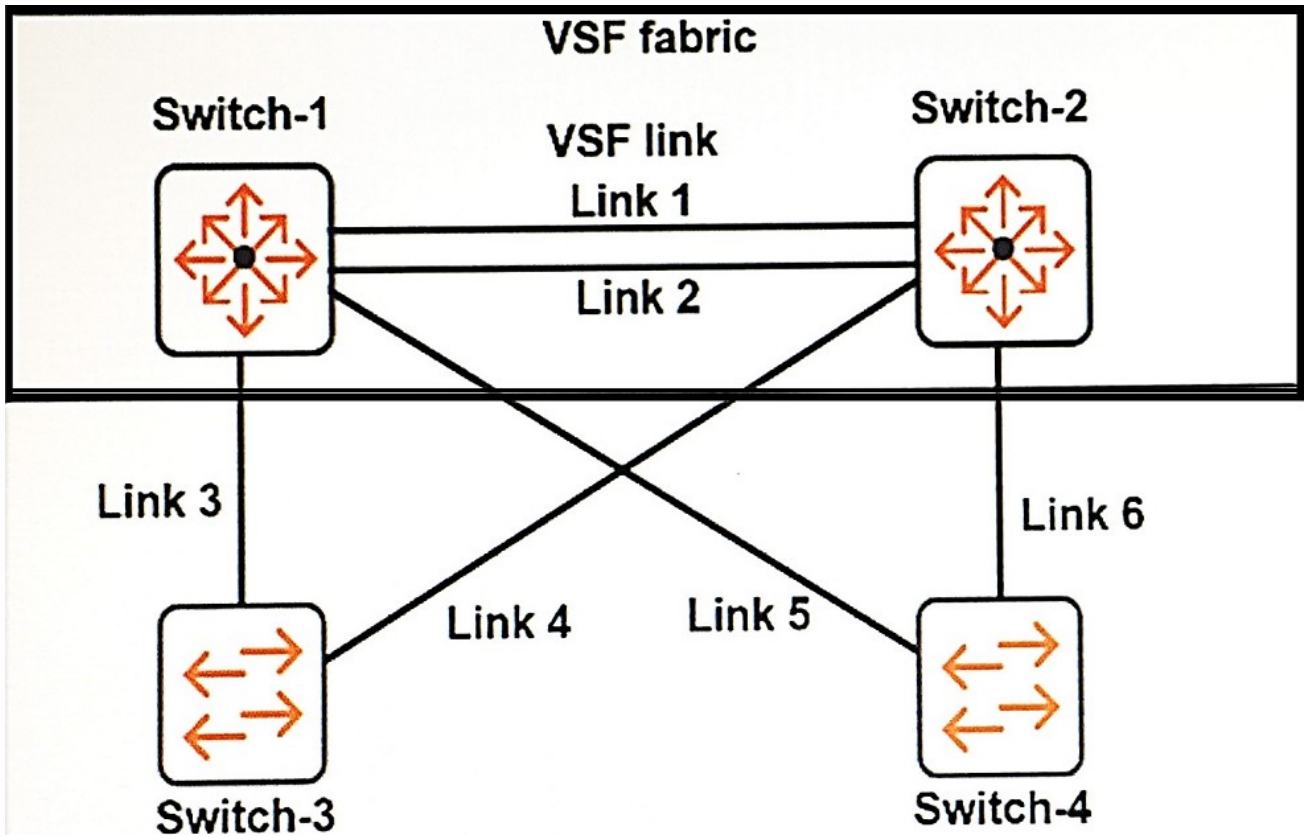
Accurate study guides, High passing rate!
IT-dumps provides update free of charge in one year!

Exam : **HPE6-A41**

Title : Applying Aruba Switching
Fundamentals for Mobility

Version : DEMO

1.Refer to the exhibit.



Which links can be combined in the same link aggregation?

- A. Links 3 and 4
- B. Links 3 and 5
- C. Links 3 and 6
- D. Links 4 and 6

Answer: A

Explanation:

We can also aggregate link 5 and 6

2.Which privilege level would a network administrator use to configure an ArubaOS switch?

- A. Administrator
- B. Manager
- C. Super
- D. User

Answer: B

3.Refer to the exhibit.

Switch# show flash

Image	Size (bytes)	Date	Version
Primary Image :	15540244	03/23/16	KA.16.01.0006
Secondary Image :	15890772	08/24/15	KA.15.15.0014
Boot ROM Version :	KA.15.09		
Default Boot :	Secondary		

Switch# show config files

Configuration files:

id | act pri sec | name

id	act	pri	sec	name
1		*		config1
2			*	config2
3	*			config3

The network administrator enters this command:

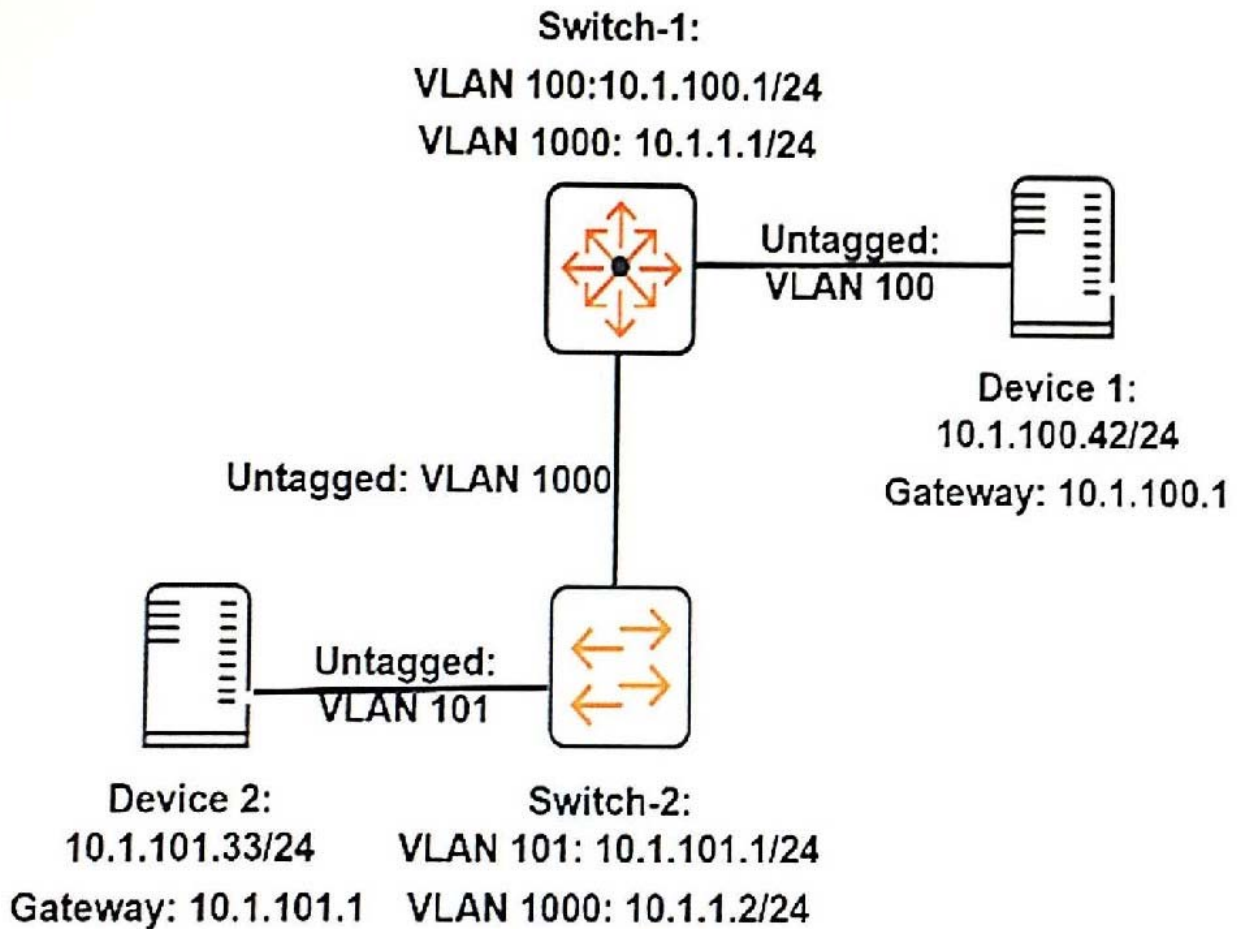
Switch# reload

Which software and configuration file will load?

- A. software version KA.16.01 and config3
- B. software version KA.15.15 and config2
- C. software version KA.15.15 and config3
- D. software version KA.16.01 and config1

Answer: B

4.Refer to the exhibit.



A network administrator executes this command on an ArubaOS switch, Switch-2:

```
Switch-2(config)# ip route 10.1.100.0/24 10.1.1.1
```

The administrator successfully pings Device 1 at 10.1.100.42 from Switch-2.

However, Device 2 cannot ping Device 1. The administrator confirms that Device 1 is correctly set up.

What should the administrator check on Switch-2 to resolve this issue?

- A. that ARP proxy is enabled
- B. that IP routing is enabled
- C. that spanning tree is disabled
- D. that ICMP is enabled

Answer: B

5.Refer to the exhibit.

Switch-1# show ip

Internet (IP) Service
IP Routing : Disable

Default Gateway :
Default TTL : 64
Arp Age : 20
Domain Suffix :
DNS server :

VLAN		IP Config	IP Address	Subnet Mask	Proxy ARP	
					Std	Local
-----	+	-----	-----	-----	-----	-----
DEFAULT_VLAN		Manual	10.1.1.1	255.255.255.0	No	No
VLAN11		Manual	10.1.11.1	255.255.255.0	No	No
VLAN12		Manual	10.1.12.1	255.255.255.0	No	No

What should the network administrator do to permit Switch-1 to route traffic from a client in 10.1.11.0/24 to a client in 10.1.12.0/24?

- A. Enable proxy ARP.
- B. Enable IP routing.
- C. Configure a static route to 10.1.11.0/24 and a static route to 10.1.12.0/24.
- D. Enable OSPF routing on VLAN 11 and on VLAN 12 in the same area.

Answer: B